

G-8072-LM38E1

Qubic Collection

M-Series 3-Way Diverter Valve Trim with Handle

GRAFF[®]
CUTTING EDGE DESIGN



Product Features

- Single metal handle and decorative trim plate
- Use with G-8053 3-Way Diverter Control Valve WITH Off Function

Available Finishes

- Polished Chrome
G-8072-LM31E1-PC
- Brushed Nickel
G-8072-LM31E1-BNi
- Polished Nickel
G-8072-LM31E1-PN
- Steelnix
G-8072-LM31E1-SN
- Olive Bronze*
G-8072-LM31E1-OB*
- Architectural Black with Chrome Accents*
G-8072-LM31E1-PC/BK*

* Special order finish- call for availability

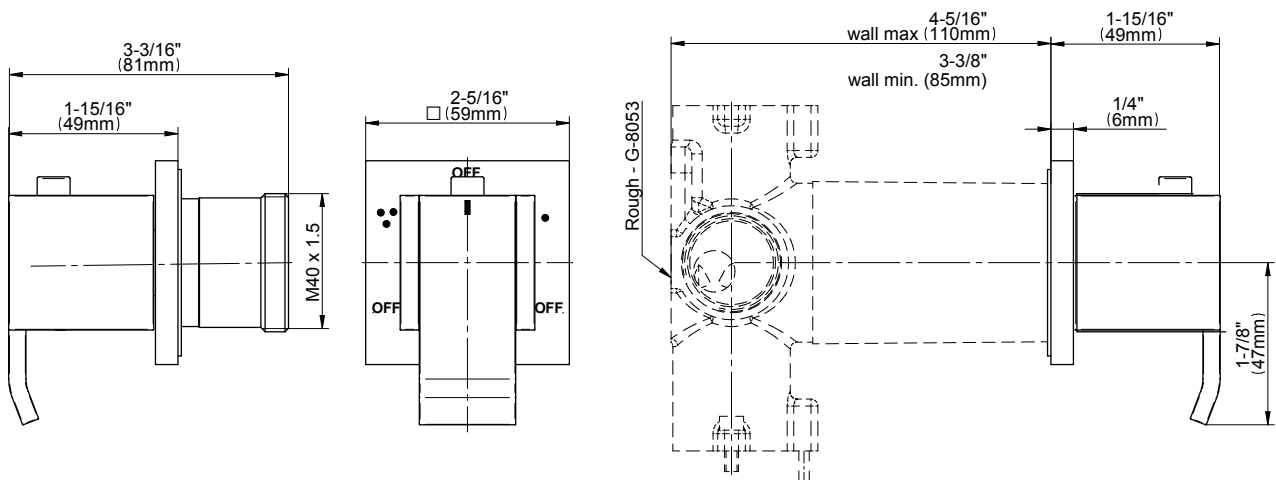
Code Compliance

- ADA

Warranty

- Limited lifetime warranty

For complete warranty information go to www.graff-designs.com/en-nam/warranty



The measurements shown are for reference only. Products and specifications shown are subject to change without notice. Revised 11/2017

www.graff-designs.com | phone: 800-954-4723